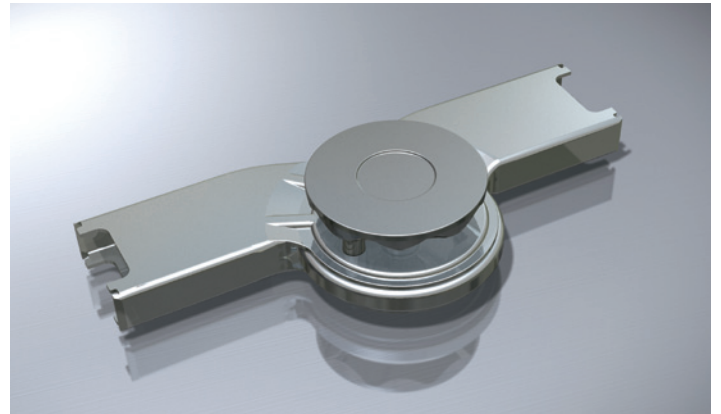


## R96 – THE PROFESSIONAL CONNECTOR FOR COMPLEX NEEDS.

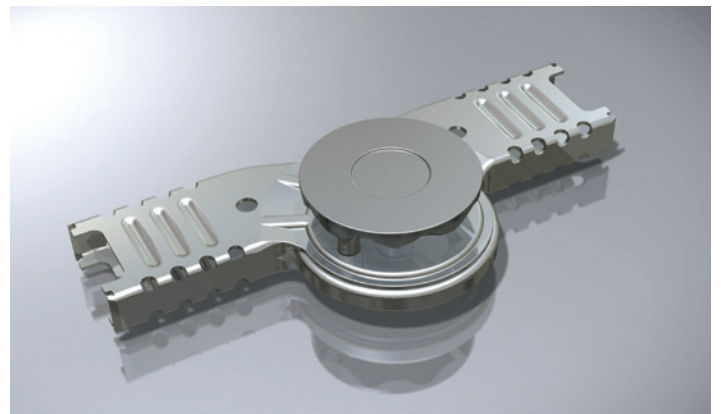
- With maximum permitted torque of 800 Nm
- Weight approx. 1,200 g
- Galvanised zinc-plated surface
- Excellent industrial design
- Locking mechanism with two pins
- Spar connectors without hole patterns, with standard or individual hole patterns or particularly efficient with the patented caulking technology
- Robust design
- Low susceptibility to dirt thanks to closed switch mechanism
- Accommodating handling
- Positionable logo on the release handle
- Optimal for fast, professional working
- Also for ladders up to 6.5 m in length in connection with the European norm 131
- As multi-purpose ladders or height-adjustable stepladders and lean-to ladders with or without a telescopic function
- Angle positions: 35°, 180° – non-locking positions between 0-35° also possible as moveable support
- With 100% functional testing

**Your connection: perfect locking for your products – the ideal joint.**

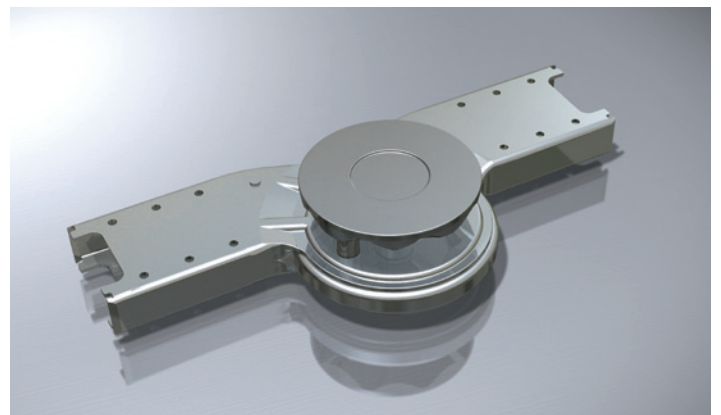
Do you have special requirements?  
Please contact us for details.



R96 – the pin joint with closed switching mechanism without a hole pattern

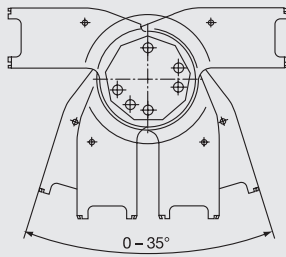


R96 – the pin joint with closed switching mechanism and patented caulking technology



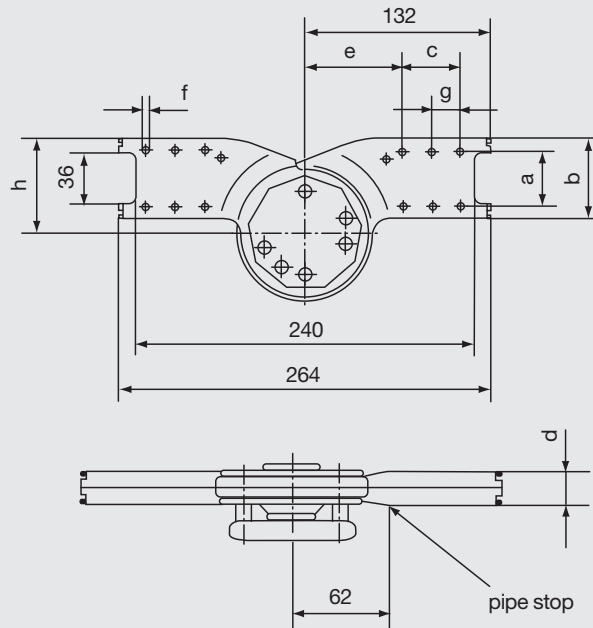
R96 – the pin joint with closed switching mechanism and hole pattern

# R96

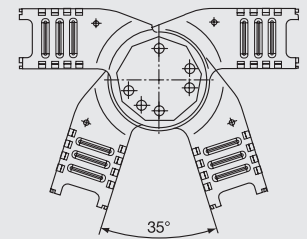


design: moveable support

R96 without hole pattern, position 0 – 35°



R96 with hole pattern, position 180°



R96 with caulking technology, position 35°

Spar connector (mm)	Version	Symbol	Positions	Types (mm), f= hole ø	Article No.
A3 b = 57.1 d = 21.3 h = 67.1	Moveable support		0-35° 180°	Without hole pattern	00 40 422
	Support		35° 180°		00 40 423
	180°		0° 180°		00 40 425
	Moveable support with 6 holes		0-35° 180°	Hole pattern a = 40.0 c = 42.0 e = 71.0 f = 4.1 g = 21.0	00 40 426
	Support with 6 holes		35° 180°		00 40 427
	180° with 6 holes		0° 180°		00 40 429
	Caulkable moveable support		0-35° 180°	Caulking technology	00 40 432
	Caulkable support		35° 180°		00 40 433
	180° caulkable		0° 180°		00 40 437